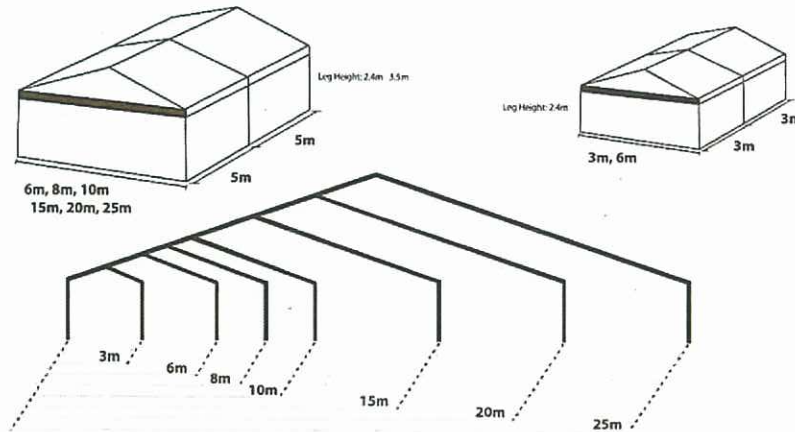
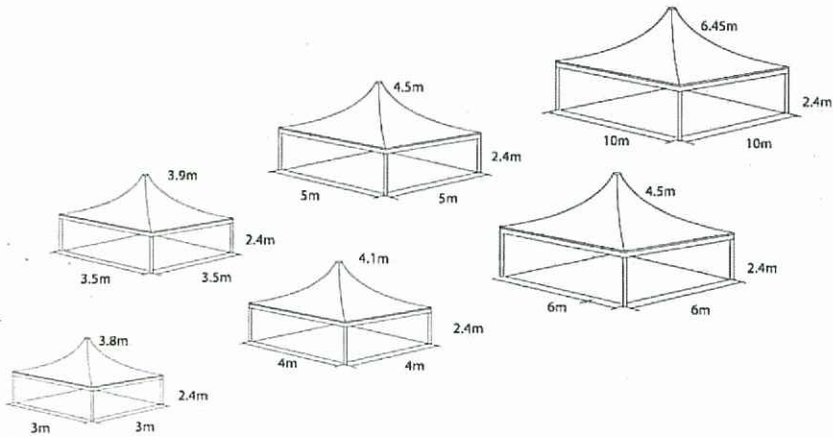


EXHIBITION INFORMATION PACK



pages
exhibition events lighting & AV

SYDNEY

26-38 Belmore Road
Punchbowl NSW 2196
P 02 9533 9400
F 02 9533 9611
E sales@pages.id.au

MELBOURNE

Suite 509, 370 St Kilda Rd
Melbourne VIC 3004
P 03 9699 6670
F 03 9699 6676
E salesvic@pages.id.au

BRISBANE

29 Dominions Rd
Ashmore QLD 4214
P 07 3103 8644
E salesqld@pages.id.au

www.pages.id.au

Pages Equipment Holdings Pty Ltd

ABN 50 085 072 297

pages

exhibition events lighting & AV

To view our full catalogue visit www.pages.id.au



ALDO BLACK



ALDO WHITE



ISIS BLACK



COSTA WHITE



COSTA BLACK



ACCENT TIMBER



MONDO



PIPPEE



BAR STOOL
BLACK TOP



BAR STOOL
S/STEEL TOP



RATTAN ARMCHAIR



RATTAN LOUNGE



RATTAN COFFEE TABLE



SIDE TABLE
H:45cm
W:60cm



ESPRESSO
H:75cm
D:80cm



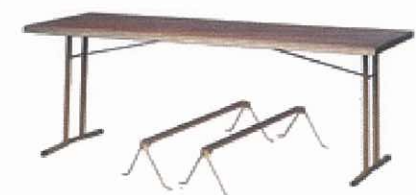
ACCENT TIMBER
H:70cm
D:70cm



LE CAFÉ
H:71cm
D:94cm



ISLAND BAR
H: 112cm
D:68cm



FLATFOLD
W:75cm
L: 180cm
L:210cm
L:240cm

pages

exhibition events lighting & AV

To view our full catalogue visit www.pages.id.au



MUSHROOM HEATER
H:236cm



PEDESTAL FAN
H:170cm



GAS BBQ
L:120cm
W:60cm



DOMESTIC FRIDGE
300L



8L KETTLE



ICE TUB
45L



BROCHURE STAND
H:1200cm



FLAG POLE
H:600cm



BARRIER STANDS
H:87cm



MARKET UMBRELLA
H:235cm



BEACH UMBRELLA
H:220cm



JARRAH FENCE
L:220cm



JARRAH SCREEN
H:220cm
W:150cm

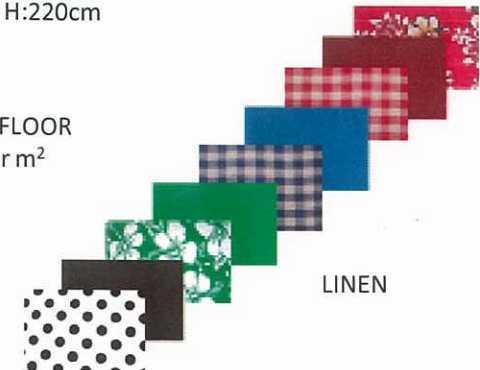


ACOUSTIC SCREEN
H:180cm
W:180cm

CARPET TILE
Per m²



PRO FLOOR
Per m²



LINEN

pages

exhibition events lighting & AV

To view our full catalogue visit www.pages.id.au



23" LCD



42" PLASMA



50" PLASMA



PLASMA ON TRUSS STAND



PLASMA ON BIG CITY STAND



ARM LIGHT



QI FLOODLIGHT



PARCAN



AUDITORIUM



FLURO



EXTENSION LEAD
10m



LAPTOP



DVD PLAYER



LECTURN



WIRELESS MICROPHONE



SOUND SYSTEMS

Exhibition Price List 2011

CLEARSPAN PAVILIONS	Unit Rate (inc GST)
6m x 3m Structure	\$638.55
6m x 6m Structure	\$1,064.25
6m x 9m Structure	\$1,596.38
6m x 10m Structure	\$1,773.75
6m x 12m Structure	\$2,128.50
6m x 15m Structure	\$2,660.63
8m x 5m Structure	\$1,040.60
8m x 10m Structure	\$2,081.20
8m x 15m Structure	\$3,121.80
8m x 20m Structure	\$4,162.40
10m x 10m Structure	\$2,601.50
10m x 15m Structure	\$3,902.25
10m x 20m Structure	\$5,203.00
10m x 25m Structure	\$6,503.75
15m x 10m Structure	\$3,902.25
15m x 15m Structure	\$5,853.38
15m x 20m Structure	\$7,804.50
Larger Sizes Available	\$0.00
20m, 25m, 30m, 35m, 40m, 45m, 50m Width	\$0.00
PAGODAS	Unit Rate (inc GST)
3m x 3m Pagoda	\$372.49
3m x 6m Pagoda	\$744.98
4m x 4m Pagoda	\$567.60
4m x 8m Pagoda	\$1,135.20
4m x 12m Pagoda	\$1,702.80
5m x 5m Pagoda	\$739.06
5m x 10m Pagoda	\$1,478.13
5m x 15m Pagoda	\$2,217.19
5m x 20m Pagoda	\$2,956.25
6m x 6m Pagoda	\$1,064.25
6m x 12m Pagoda	\$2,128.50
FLOORING	Unit Rate (inc GST)
Plank & Plywood Floor (per m2)	\$11.83
Integrated timber Floor (per m2)	\$16.56
Black Carpet Tiles (per m2)	\$7.69
Blue Carpet Tiles (per m2)	\$10.05
Pro Floor (per m2)	\$13.01

FURNITURE	QTY	Unit Rate (inc GST)
Aldo Chair	1	\$11.83
Isis chair	1	\$9.46
Costa Chair	1	\$5.91
Accent Timber Chair	1	\$14.19
Mondo Chair	1	\$11.83
Pipee Chair	1	\$4.26
Bar Stools	1	\$23.65
Rattan Armchair	1	\$94.60
Rattan Lounge	1	\$183.29
Rattan Coffee Table	1	\$88.69
Side Table	1	\$47.30
Espresso Table	1	\$39.02
Accent Timber Table	1	\$39.02
Le Café Table	1	\$20.81
Island Bar Table	1	\$70.95
1.8m, 2.1m or 2.4m x .75m Flatfold Table	1	\$23.65
Mushroom Heater	1	P.O.A
Pedestal Fan	1	P.O.A
Gas BBQ with Gas Bottle	1	\$130.08
Domestic Fridge	1	\$218.76
Hot Water Kettle 8L	1	\$23.65
Ice Tub 45L	1	\$8.28
Brochure Stand	1	\$106.43
Flag Pole	1	\$94.60
Barrier Stand	1	\$13.01
Red or Black Rope for Barrier Stand	1	\$26.02
Market Umbrella (Beige) with Base	1	\$118.25
Beach Umbrella	1	\$29.56
Jarraah Fence	1	\$59.13
Jarraah Screen	1	\$59.13
Acoustic Screen with Cover	1	\$65.04
Linen	1	\$26.02
LIGHTING & AV	Unit Rate (inc GST)	
23" LCD TV	1	from \$220.00
42" Plasma TV	1	from \$350.00
50" Plasma TV	1	from \$450.00
Plasma TV on Truss Stand	1	\$550.00
Plasma TV on Big City Stand	1	from \$750.00
QT Arm Light	1	from \$79.00
QT Floodlights	1	from \$79.00
Parcan Lights	1	from \$39.00
Auditorium Light	1	\$139.00
Fluorescent Light	1	from \$79.00
Laptop	1	from \$127.00
DVD Players	1	from \$69.00
Lectern	1	\$120.00
Wireless Mics	1	from \$142.00
Sound System	1	from \$350.00
Extension Lead	1	\$23.65

****Prices subject to availability. Rates subject to change without notification. Rates include 2.5% Public Liability Insurance Levy, 5% Damage Waiver & 10% GST. Prices do not include Freight. Freight Charges based on 15% of the hire total each way based on a minimum delivery charge of \$50****

SITE MAP

Please complete and return *As Soon As Possible*

The Pages team are building your site and need an accurate map of your marquee/pagoda for installation.

Please locate in the space provided below the positioning of how you require the site set up. It is of upmost importance to ensure your map is correct, legible and detailed.

Please note: Tents will NOT be built without an accurate site map and cannot be moved after the marquee/pagoda has been erected.

Please include:

- Tent location within site. Include distance from perimeters and show the opening of tent.
- Flagpoles marked with an X (if any)

Company: _____ Site No. _____

Site Contact: _____ Mobile: _____

Arrival/Completion Date: _____

Adjoining Site # _____	Adjoining Site # _____
Adjoining Site # _____	Adjoining Site # _____

Build Instructions:

_____ m in from Right Boundary

_____ m in from Left Boundary

_____ m in from Front Boundary

_____ m in from Back Boundary

****Please ensure the adjoining site numbers are also filled out****

**If you have any further queries, please contact
Natalie Correia (02) 9533 9400 or nataliec@pages.id.au**